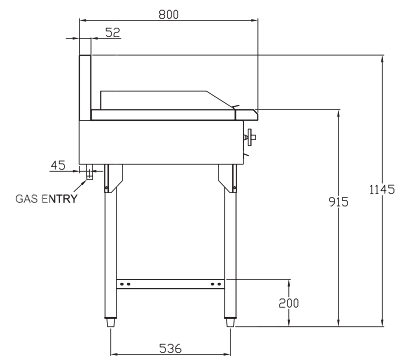
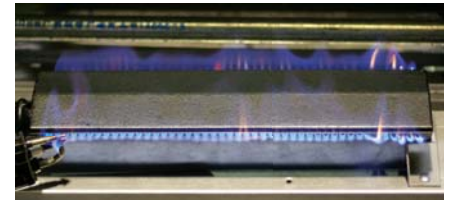
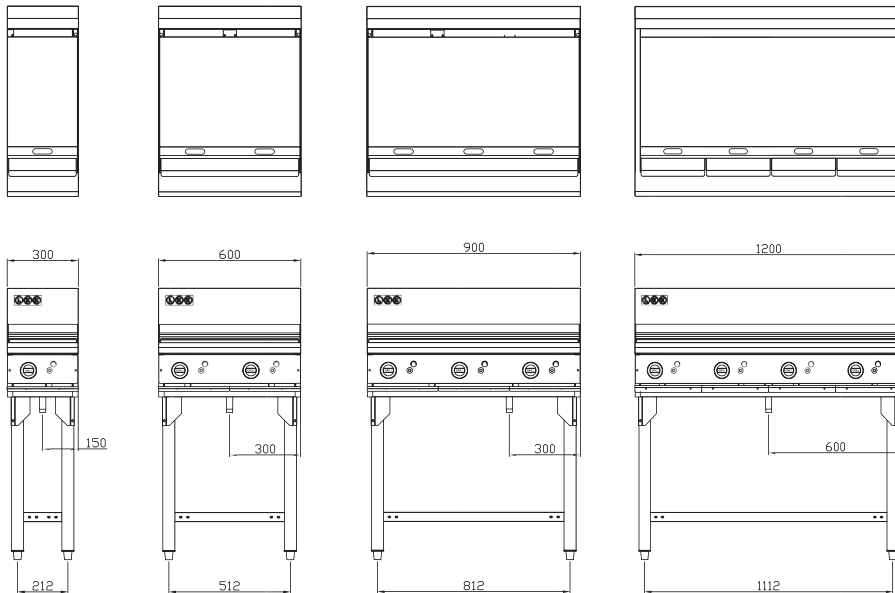


Hotplate Griddle



Features:

- GasMark Certified.
- Piezo & pilot ignition.
- Free standing design.
- Height adjustable feet.
- Removable: Grease tray.
- Undershelf storage space.
- Flame failure safety device.
- Rated at 20^{MJ}/hr per burner.
- Griddle plate thickness: 16mm.
- Full stainless steel body constructed



Specification

Model	Natural Gas	LP Gas	Dimensions (W x D x H)
LKKOB2C	20 ^{MJ} /h	20 ^{MJ} /h	300mm x 800mm x 900mm (working height)
LKKOB4B	40 ^{MJ} /h	40 ^{MJ} /h	600mm x 800mm x 900mm (working height)
LKKOB6A	60 ^{MJ} /h	60 ^{MJ} /h	900mm x 800mm x 900mm (working height)
LKKOB8AA	80 ^{MJ} /h	80 ^{MJ} /h	1200mm x 800mm x 900mm (working height)

Height including splashback is 1130mm

Inlet: Gas: 3/4" BSP

• Specifications and design are subject to change without notice • Pictures are for illustrative purposes only • 2015 July



New Zealand Phone: (+64) 09 837 2960 Fax: (+64) 09 836 9168
 (Head Office) 18 Paramount Drive, Henderson, Auckland
 www.lkk.co.nz sales@lkk.co.nz

Australia Phone: 1300 655 715 Fax: (+61) 02 8587 0033
 47 George St, Clyde Sydney, NSW 2142, Sydney
 www.lkk.com.au sales@lkk.com.au

Authorised Retailer: